



EOTECH
more for science



Skin,
Face,
Hair

CBright

The compact photographic bench for the
reproducible and standardized face shots

.....



Product description

Technology : CBright is a photographic bench designed to create the reproducible and standardized photos, independently to any analysis software. It is proposed with photo camera CANON EOS 250D owing to its excellent cost/efficiency report. Other devices can be used depending on the client's need, along with thermal camera EvaTHERM.

Positioning : • Set (made?) for the face shots, the device adjusts to the volunteer size by means (bof ?) of the motorized column. The movable arm allows to direct the photo device around the volunteer to create the shots from -90° to +90° (9 preset positions). These measurable settings will provide with the subsequents shooting on equal conditions. The repeatability of shots is guaranteed by :

- a centering device of the face
- a positioning laser to adjust the face inclination
- 4 LED banners of adjustable intensity ensuring a homogenous lighting
- grey matt banners that create the background (a fixed one and two adjustable laterals)
- a sight support

Shots recording : CANON EOS Utility software, supplied with photo (photographic?) bench has been chosen due to its ease of use. It lets to control the device remotely from the work position(station?). It offers «ghost image» function, very useful to guarantee a perfect before/after recording.

Applications



Local :

- Dermatological follow-up (acne, vitiligo)
- Aesthetic treatments (micro-injections)



Face :

- Clinical cosmetic studies
- Illustration in publication
- Registration of panel of volunteers

Advantages :

- Reduced dimensions
- Easily displaceable
- Reproducible environment
- Simple (Easy?) to use
- No hidden costs

Cosmetic claims :

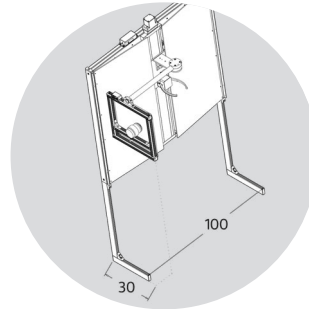
- Age spots
- Brightness
- Homogeneity
- Anti-wrinkles
- Pores
- Black heads
- Sebo-regulator

Technical data

Compact bench :



Lateral foldable banners



Footprint

Reproducible photos :



Predefined angle for shooting



Intensity of measurable lighting



Motorized head support with gradual ruler



Polarized lighting



Positioning laser

Bench specifications :

CBright	
Vertical motorized column	390mm by continuous motor drive and high/low control
Headrest	Support and centering head
Angles setting	0, ± 30°, ± 45°, ± 60°, ± 90°
Dimensions of unfolded pannels LxHxP (cm)	186 x 155 x 46
Footprint LxP (cm)	100 x 30
Laser	Class 1 (< 1 mw)
Working distance (mm)	300
Weight (kg)	20
Lighting	Polariszed4 x 3W, 4200°K
Compatible devices	Photo camera or camera untill 1250 g
Fixing screws	3/8"

Photo camera specifications :

Reflex model	EOS 250D
Objectives	Fixe 24 mm, f 2.8
Resolution	5456 x 3632 pixels (20.1 Mp)
Adjustment	Manual or automatic with zones locker
Image format	JPEG (Tiff) ,RAW
Communication	USB, Wi-Fi
Dimensions (mm)	122,4 × 92,6 × 69,8
Alimentation	From rechargeable battery power or power cable
Recording support	Memory card microSD
Weight (g)	700

Contact :

EOTECH SAS

1, ZI du fond des prés
91460 Marcoussis – France
Tel : + 33 (0)164 497 130
Email : info@eotech.fr
Web : www.eotech-sa.com

DISTRIBUTOR