



EOTECH
more for science



Skin,
Face,
Hair

CBright

The compact photographic bench for reproducible
and standardized face photos

.....



Product description

Technology : CBright is a photographic bench designed to make reproducible and standardized photos, independently to any analysis software. It comes with a CANON EOS 250D photo camera owing to its excellent cost/performance ratio. Other devices can be used depending on the client's need, as well as our thermal camera EvaTHERM.

Positioning : Dedicated to photos of the face, the device adjusts to the volunteer size thanks to a motorized column. The mobile arm allows to direct the photo device around the volunteer to take pictures from -90° to $+90^{\circ}$ (9 preset positions). These measurable settings will ensure the subsequent shooting under the same conditions. The repeatability of the shots is guaranteed by :

- a centering device of the face
- a positioning laser to adjust the face inclination
- 4 LED strips with fixed intensity ensuring a homogenous lighting
- grey matt banners as background (a fixed one and two adjustable laterals)
- a target support

Shots recording : CANON EOS Utility software, supplied with the bench, has been chosen due to its ease of use. It allows to control the device remotely from a work station. It offers a «ghost image» function, very useful to guarantee a perfect before/after repositioning.

Applications



Local :

- Dermatological follow-up (acne, vitiligo)
- Aesthetic treatments (micro-injections)



Face :

- Clinical cosmetic studies
- Illustration in publication
- Registration of a panel of volunteers

Advantages :

- Reduced dimensions
- Easily movable
- Standardized environment
- Easy to use
- No hidden costs

Cosmetic claims :

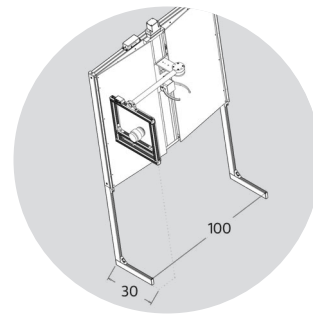
- Age spots
- Radiance
- Homogeneity
- Anti-wrinkles
- Pores
- Blackheads
- Sebum-regulating

Technical data

Compact bench :



Foldable side panels



Reduced footprint

Reproducible photos :



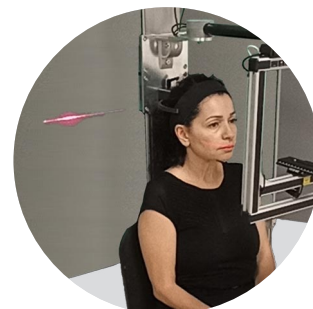
Predefined angles shooting



Motorized headrest with graduated ruler



Polarized lighting



Positioning laser

Bench specifications :

| CBright | |
|---|---|
| Vertical motorized column | 390mm by continuous motor drive and up/down control |
| Headrest | Support and centering head |
| Angles setting | 0, ± 30°, ± 45°, ± 60°, ± 90° |
| Dimensions with unfolded pannels LxHxP (cm) | 186 x 155 x 46 |
| Footprint LxP (cm) | 100 x 30 |
| Laser | Class 1 (< 1 mw) |
| Working distance (mm) | 300 |
| Weight (kg) | 20 |
| Lighting | Polariszed 4 x 3W, 4200°K |
| Compatible devices | Photo camera or camera untill 1250 g |
| Fixing screws | 1/4" |

Photo camera specifications :

| Reflex model | EOS 250D |
|-----------------|--|
| Lens | Fixed 24 mm, f 2.8 |
| Resolution | 5456 x 3632 pixels (20.1 Mp) |
| Focus | Manual or automatic with zones lock |
| Image format | JPEG (Tiff) ,RAW |
| Communication | USB, Wi-Fi |
| Dimensions (mm) | 122,4 × 92,6 × 69,8 |
| Power supply | By rechargeable battery or power cable |
| Storage device | MicroSD memory card |
| Weight (g) | 700 |

Contact :

EOTECH SAS

1, ZI du fond des prés
91460 Marcoussis – France
Tel : + 33 (0)164 497 130
Email : info@eotech.fr
Web : www.eotech-sa.com

DISTRIBUTOR