



EOTECH
more for science



Skin,
& Face

CBright

The compact photographic studio for reproducible
and standardized face photos

.....



Product description

Technology

CBright is a photographic studio designed to make reproducible and standardized photos, independently to any analysis software. It comes with a CANON EOS photo camera owing to its excellent cost/performance ratio. Other devices can be used depending on the client's need, as well as our thermal camera EvaTHERM.

Positioning

Dedicated to photos of the face, the device adjusts to the volunteer size thanks to a motorized column. The mobile arm allows to direct the camera around the volunteer to take pictures from -90° to $+90^{\circ}$ (9 preset positions). These measurable settings will ensure the subsequent shooting under the same conditions. The repeatability of the shots is guaranteed by :

- a centering device of the face
- a positioning laser to adjust the face inclination
- a baseline ghost image
- 4 fixed intensity LED strips ensuring a homogenous lighting
- grey mat panels as background (one fixed and two foldable lateral)
- a color check support

Shots recording

Our dedicated software, Revelare, is provided with CBright. It allows to control the device remotely from a work station connected by USB cable. It helps the user with following functions:

- claims and volunteers administration
- control of shooting parameters
- exporting photos

Applications



Local :

- Dermatological follow-up (acne, vitiligo)
- Mesotherapy



Face :

- Clinical cosmetic studies
- Illustration in publication
- Registration of a panel of volunteers

Advantages :

- Reduced dimensions and movable
- Standardized environment
- Easy to use
- No hidden costs

Cosmetic claims :

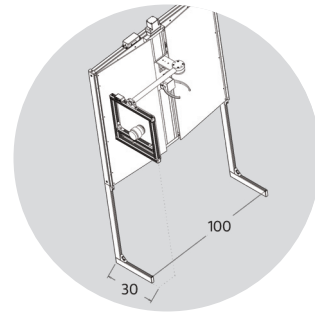
- Age spots
- Radiance
- Homogeneity
- Anti-wrinkles
- Pores
- Blackheads
- Sebum-regulating

Technical data

Compact frame

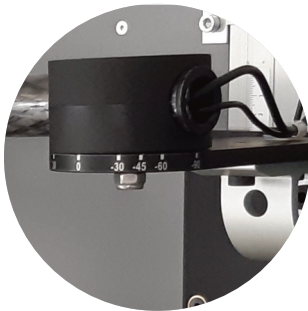


Foldable side panels



Reduced footprint

Reproducible photos



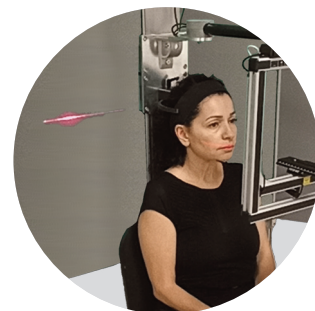
Predefined angles shooting



Motorized headrest with graduated ruler



Polarized lighting



Positioning laser

Frame specifications

Characteristics	Value
Vertical motorized column	390mm by up/down control
Headrest	Support and centering head
Angles setting	0, ± 30°, ± 45°, ± 60°, ± 90°
Laser	Class 1 (< 1 mw)
Lighting	Polarized, 4 x 3W, 4200°K
Working distance (mm)	300
Dimensions with unfolded pannels LxHxP (cm)	188 x 165 x 94
Footprint WxD (cm)	100 x 30
Weight (kg)	29

Photo camera specifications

Characteristics	Value
Device	Canon EOS R100
Lens	Fixed 24 mm, f 2.8
Resolution	6000 x 4000 pixels (24 Mp)
Filter	Polarizing
Image format	JPEG
Communication	USB 2 or 3
Dimensions (mm)	116,3 × 85,5 × 68,8
Power supply	110V/230V
Weight (g)	700